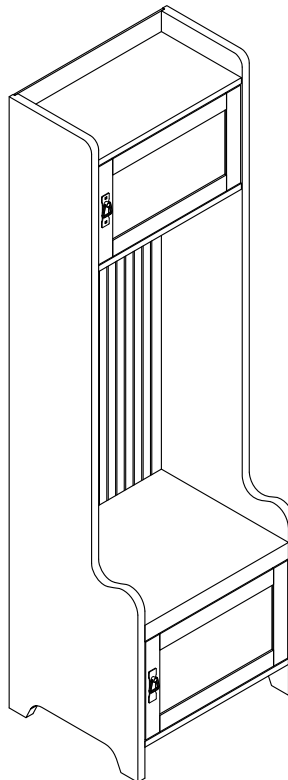
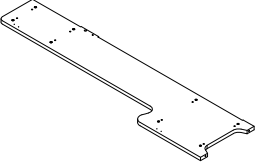
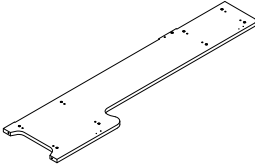
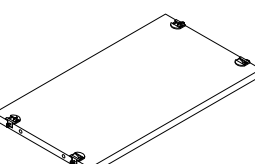
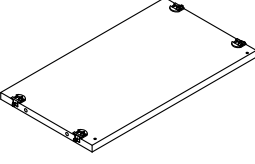
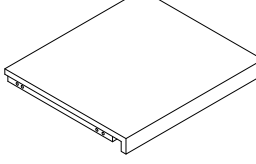
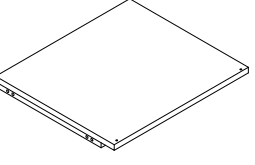
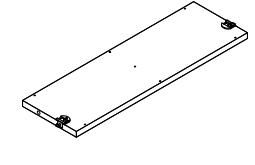
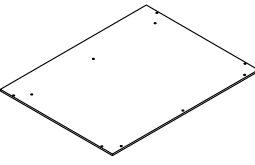
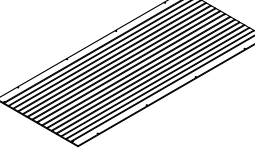
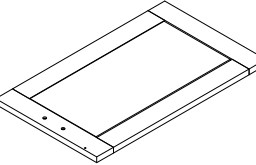









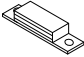


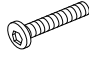
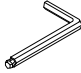

Entryway Tower CF6016



PART LIST

<p>A</p> 	<p>B</p> 	<p>C</p> 	<p>D</p> 	<p>E</p> 
<p>Left Side Panel 1 PC</p>	<p>Right Side Panel 1 PC</p>	<p>Top Shelf 1 PC</p>	<p>Middle Shelf 1 PC</p>	<p>Seat Panel 1 PC</p>
<p>F</p> 	<p>G</p> 	<p>H</p> 	<p>I</p> 	<p>J</p> 
<p>Bottom Panel 1 PC</p>	<p>Middle Back Panel 1 PC</p>	<p>Top Back Panel 1 PC</p>	<p>Bottom Back Panel 1 PC</p>	<p>Door Panel 2 PCS</p>

HARDWARE LIST

<div data-bbox="92 136 150 192" data-label="Text">#1</div> 	<div data-bbox="373 136 430 192" data-label="Text">#2</div>  <p data-bbox="464 371 577 405">Ø8 x 30</p>	<div data-bbox="654 136 711 192" data-label="Text">#3</div>  <p data-bbox="676 371 924 405">Ø7 x 2.5 x 12mm</p>	<div data-bbox="935 136 992 192" data-label="Text">#4</div> 	<div data-bbox="1216 136 1273 192" data-label="Text">#5</div>  <p data-bbox="1307 371 1425 405">M4 x 12</p>
<p data-bbox="188 445 268 479">Hook</p> <p data-bbox="180 517 276 551">2 PCS</p>	<p data-bbox="421 445 604 479">Wood Dowel</p> <p data-bbox="389 517 636 551">19 PCS (Extra 1)</p>	<p data-bbox="708 445 885 479">Short Screw</p> <p data-bbox="676 517 917 551">25 PCS (Extra 1)</p>	<p data-bbox="1023 445 1123 479">Handle</p> <p data-bbox="1027 517 1118 551">2 PCS</p>	<p data-bbox="1238 445 1485 479">Round Head Bolt</p> <p data-bbox="1315 517 1409 551">4 PCS</p>
<div data-bbox="92 555 150 611" data-label="Text">#6</div> 	<div data-bbox="373 555 430 611" data-label="Text">#7</div>  <p data-bbox="421 775 608 808">D6 x Ø3 x 12</p>	<div data-bbox="654 555 711 611" data-label="Text">#8</div>  <p data-bbox="735 775 874 808">Ø3.5 x 14</p>	<div data-bbox="935 555 992 611" data-label="Text">#9</div>  <p data-bbox="1007 775 1123 808">M6 x 35</p>	<div data-bbox="1216 555 1289 611" data-label="Text">#10</div>  <p data-bbox="1315 775 1390 808">4mm</p>
<p data-bbox="172 857 284 891">Magnet</p> <p data-bbox="180 929 276 963">2 PCS</p>	<p data-bbox="411 857 624 891">Magnet Screw</p> <p data-bbox="403 929 632 963">5 PCS (Extra 1)</p>	<p data-bbox="719 857 893 891">Long Screw</p> <p data-bbox="692 929 920 963">5 PCS (Extra 1)</p>	<p data-bbox="995 857 1134 891">Allen Bolt</p> <p data-bbox="1019 929 1110 963">8 PCS</p>	<p data-bbox="1257 857 1453 891">Allen Wrench</p> <p data-bbox="1318 929 1393 963">1 PC</p>
<div data-bbox="92 967 165 1023" data-label="Text">#12</div>  <p data-bbox="124 1263 352 1296">Safety Strap Kit</p> <p data-bbox="197 1339 268 1373">1 PC</p>				

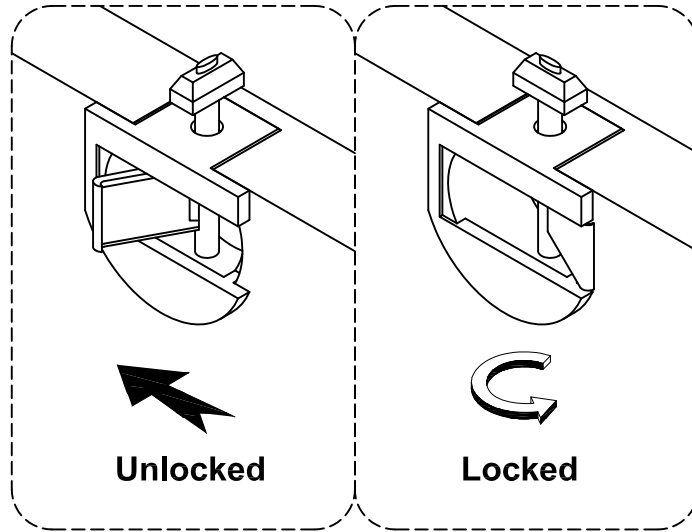
ADDITIONAL TOOLS (Not Provided)

Note: It is not recommended to use power tools during assembly.



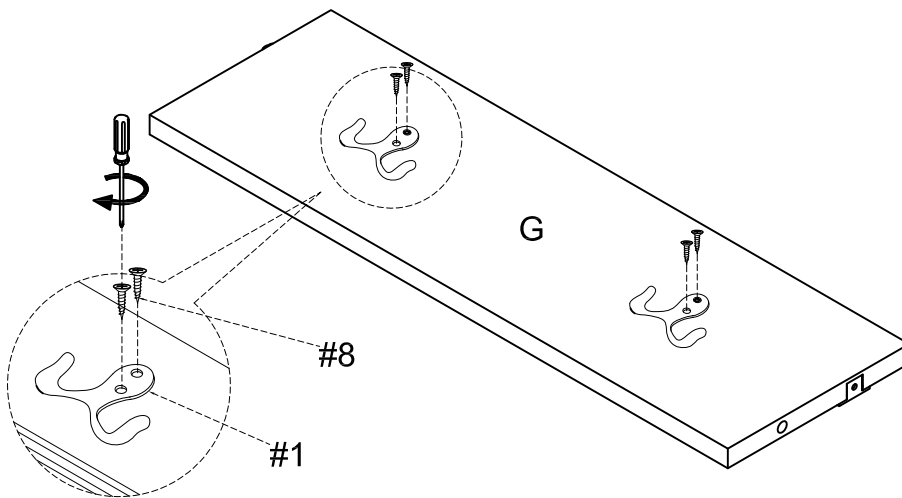
Phillips Head Screwdriver



Please do not use tools to assemble this unit unless specifically indicated.



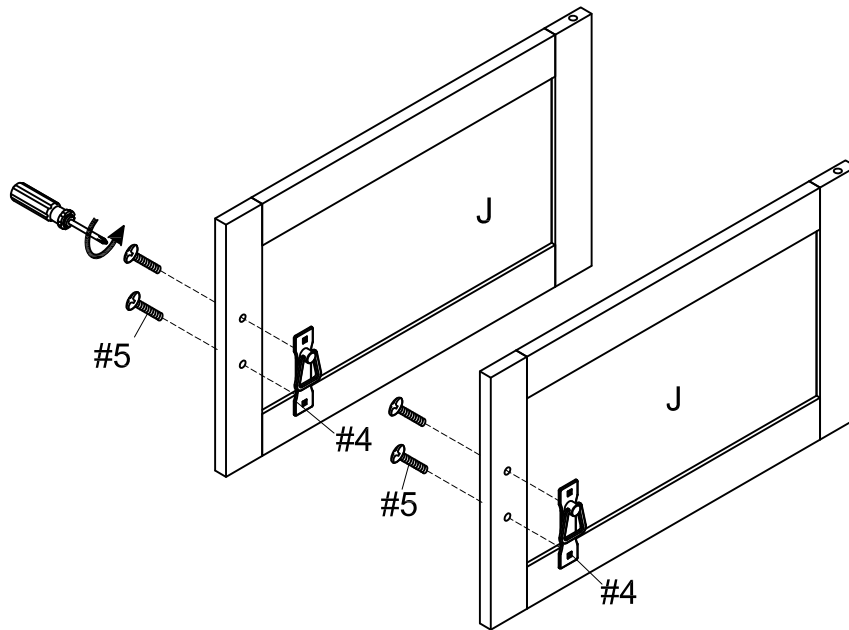
Reference the images above any time the instructions state "lock the hardware".
Note: Be sure to check all hardware is locked when completed.



Step 1. Attach hooks (part #1) to middle back panel (part G) using long screws (part #8) and phillips head screwdriver.



#1  x 2
#8  x 4

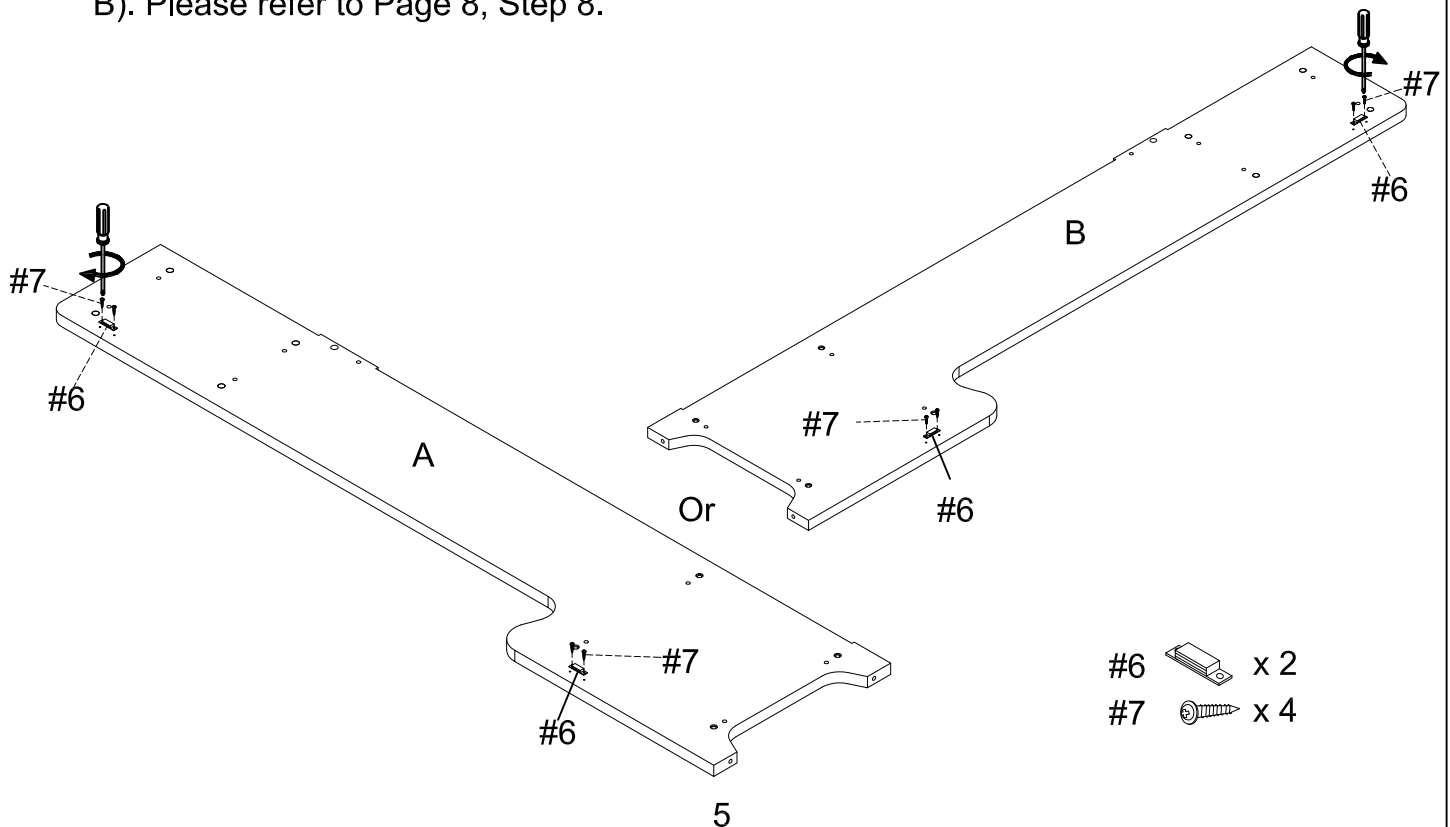
Step 2. Attach handles (part #4) to door panels (part J) using round head bolts (part #5) and phillips head screwdriver.

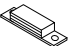



- #4  x 2
- #5  x 4

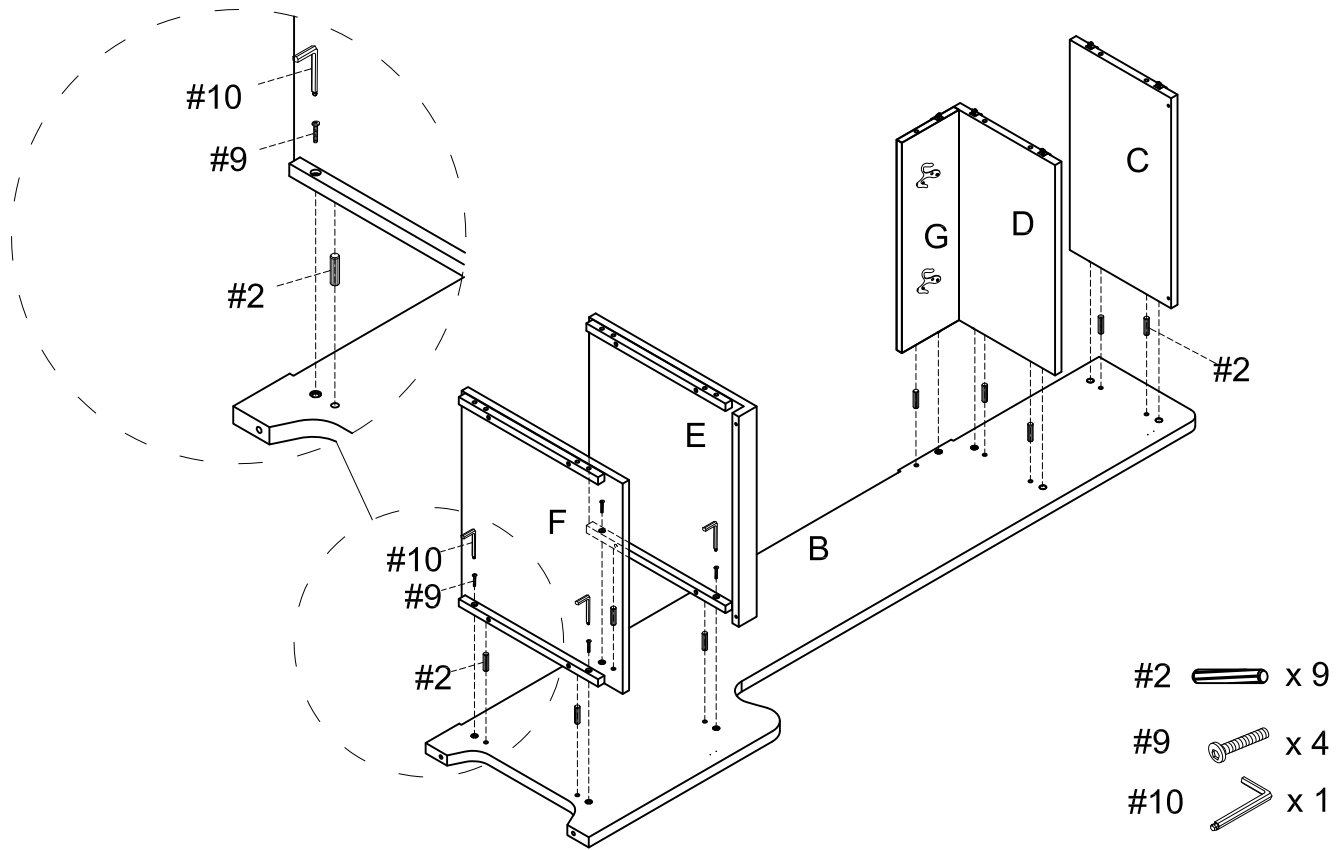
Step 3. Attach magnets (part #6) to left side panel (part A) or right side panel (part B) using magnet screws (part #7) and phillips head screwdriver.

Note: If door panels open on right, then attach magnets (part #6) to left side panel (part A). If door panels open on left, then attach magnets (part #6) to right side panel (part B). Please refer to Page 8, Step 8.

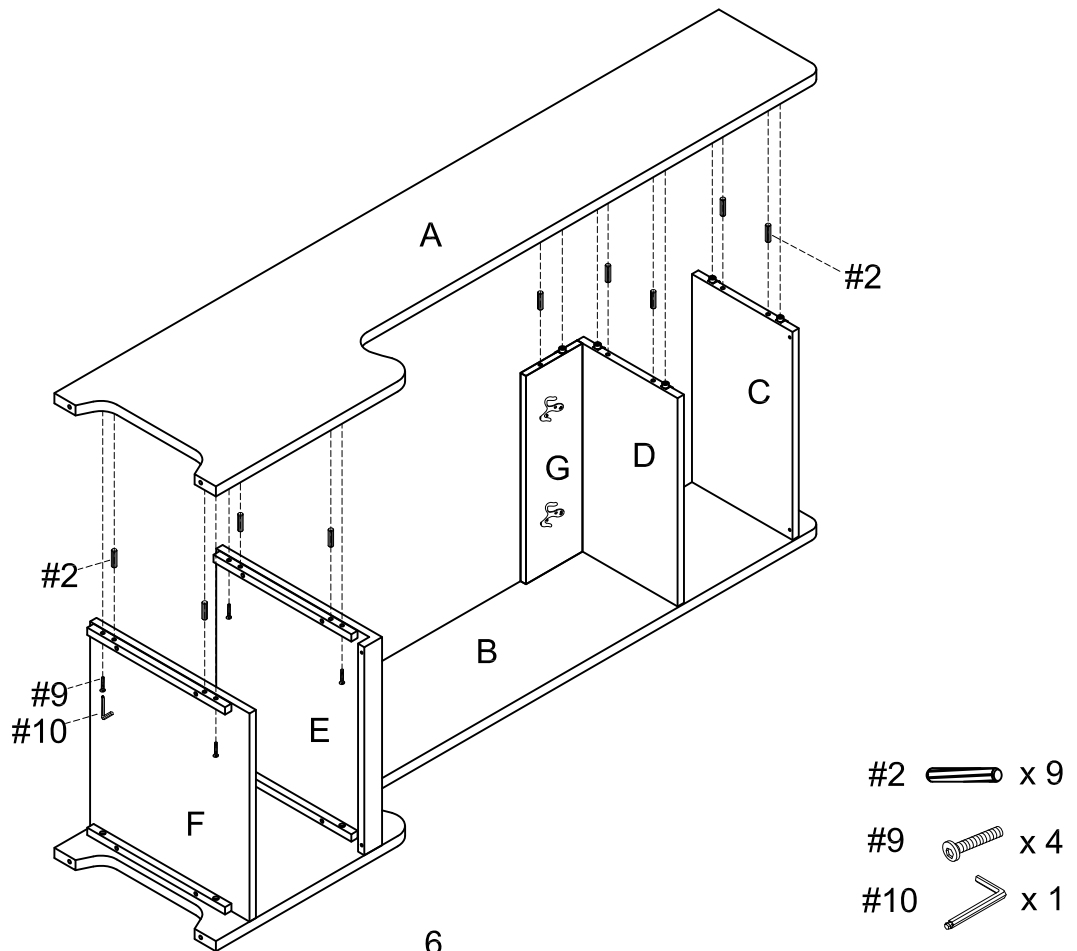


- #6  x 2
- #7  x 4

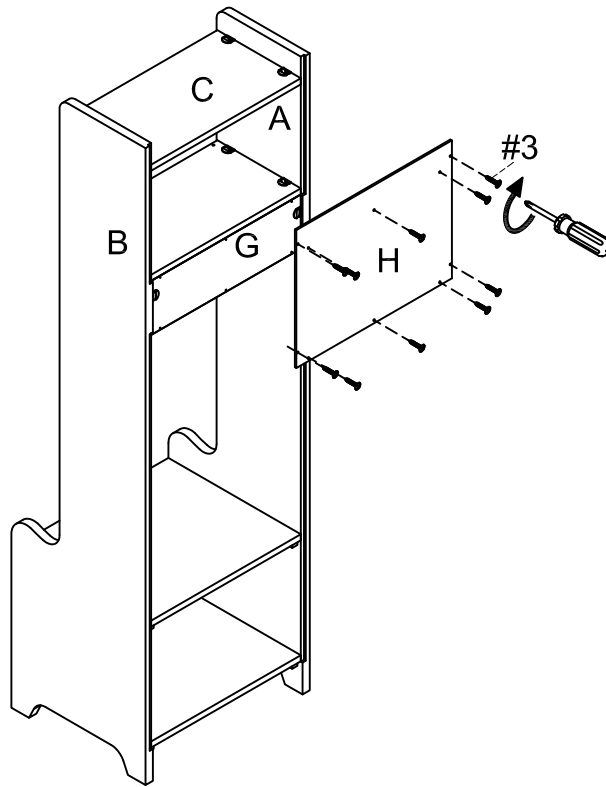
Step 4. Attach top shelf (part C), middle shelf (part D), middle back panel (part G), seat panel (part E) and bottom panel (part F) to right side panel (part B) using wood dowels (part #2), allen bolts (part #9), allen wrench (part #10) and lock the hardware.




Step 5. Attach left side panel (part A) to assembled unit (parts C, D, E, F & G) using wood dowels (part #2), allen bolts (part #9), allen wrench (part #10) and lock the hardware.

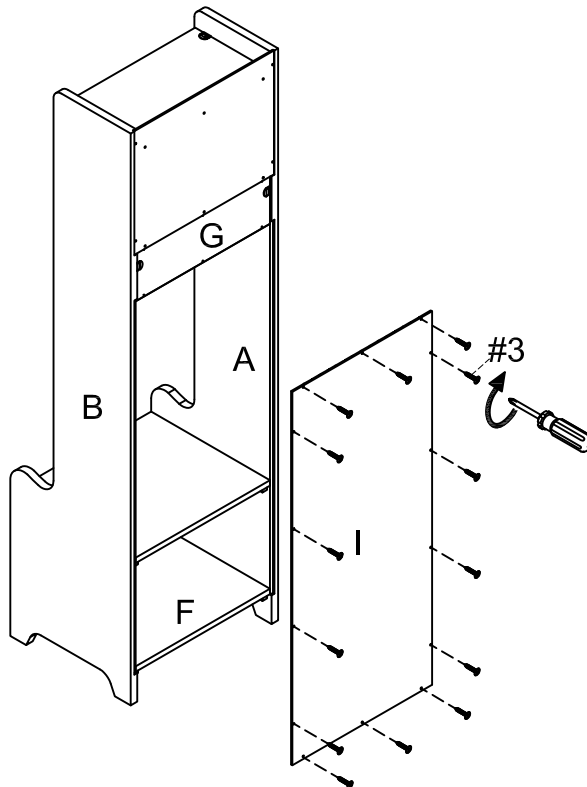


Step 6. Carefully turn unit upright. Attach top back panel (part H) to assembled unit (parts A, B, C & G) using short screws (part #3) and phillips head screwdriver.



#3  x 10

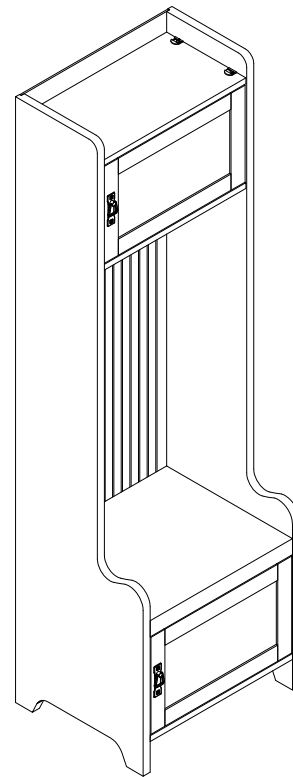
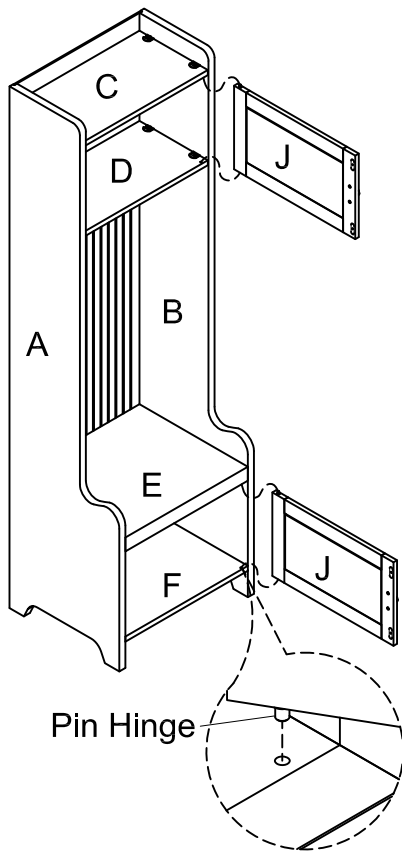
Step 7. Attach bottom back panel (part I) to assembled unit (parts A, B, F & G) using short screws (part #3) and phillips head screwdriver.



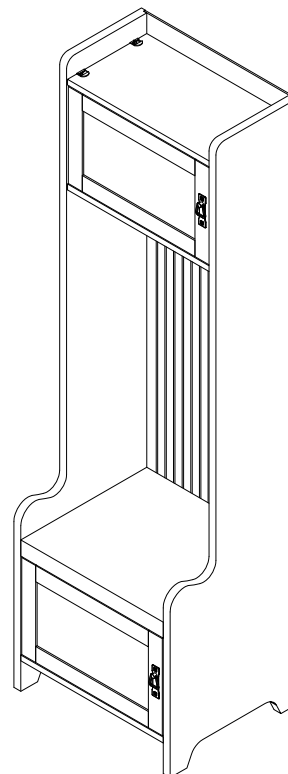
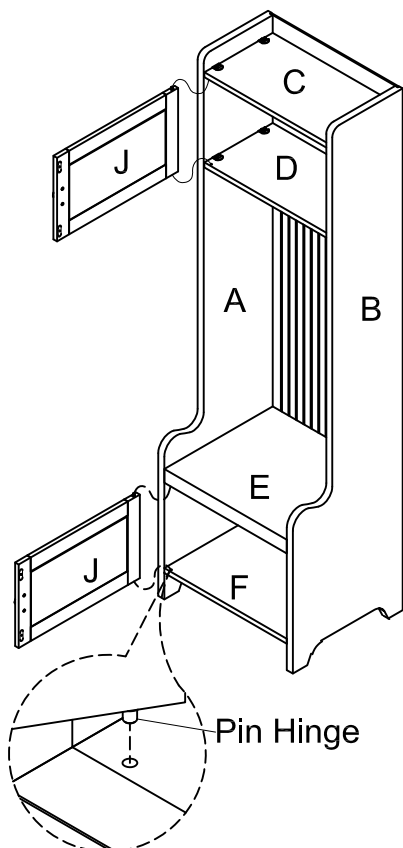
#3  x 14

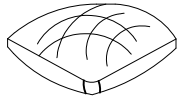
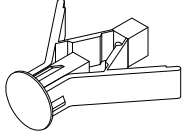

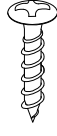
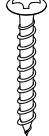
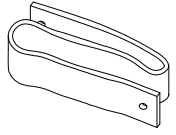
Step 8. There are two installation options for door panels (part J). Attach door panels (part J) by placing bottom pin hinge (pre-installed in door) in the pre-drilled hole of middle shelf (part D) and bottom panel (part F). Then depress the top spring-loaded pin hinge so it can be placed in the pre-drilled hole of top shelf (part C) and seat panel (part E).

NOTE: Be sure top and bottom pin hinges are fully extended to secure doors in place.



Or



#12	A	B	C	D	E
					
Safety Strap Kit 1 PC	Wall Anchor 1 PC	Washer 2 PCS	Short Screw 1 PC D8 x 3/4"	Long Screw 1 PC D8 x 1-1/2"	Safety Wall Strap 1 PC

SAFETY WALL STRAP INSTALLATION

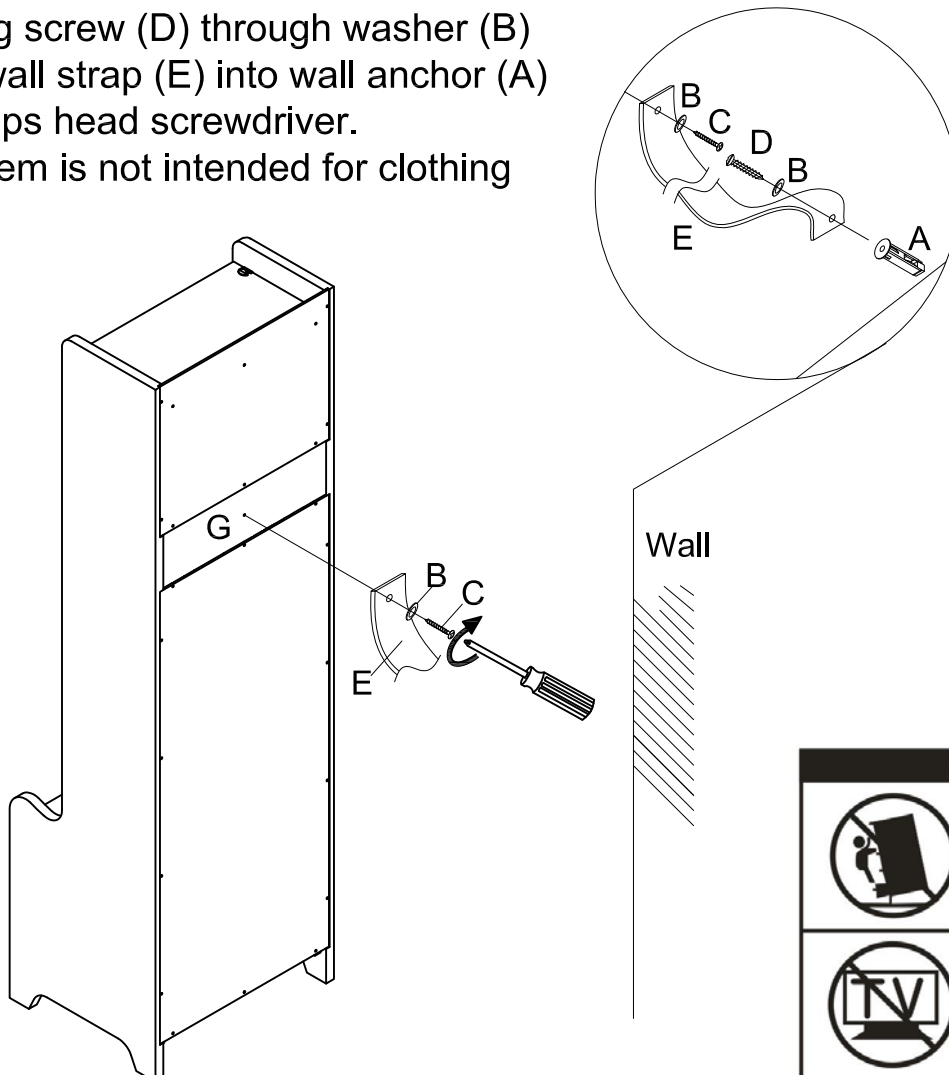
Note: It is highly recommended to install this safety strap kit to prevent tipping, damage and/or injury.

1. Insert short screw (C) through washer (B), safety wall strap (E) and attach to middle back panel (part G) using phillips head screwdriver.

2. Drill a 11/32"(6mm) hole where you want to secure the unit. The drilled hole will be at the same height as the hole in middle back panel (part G) where safety wall strap (E) is attached. Tap wall anchor (A) into the hole.

3. Insert long screw (D) through washer (B) and safety wall strap (E) into wall anchor (A) using a phillips head screwdriver.

Note: This item is not intended for clothing storage use.



⚠ WARNING

Children have died from furniture tipover. To reduce the risk of furniture tipover:

- ALWAYS install tipover restraint provided.
- NEVER put a TV on this product.
- NEVER allow children to stand, climb or hang on drawers, doors, or shelves.
- NEVER open more than one drawer at a time.
- Place heaviest items in the lowest drawers.

This is a permanent label. Do not remove!